

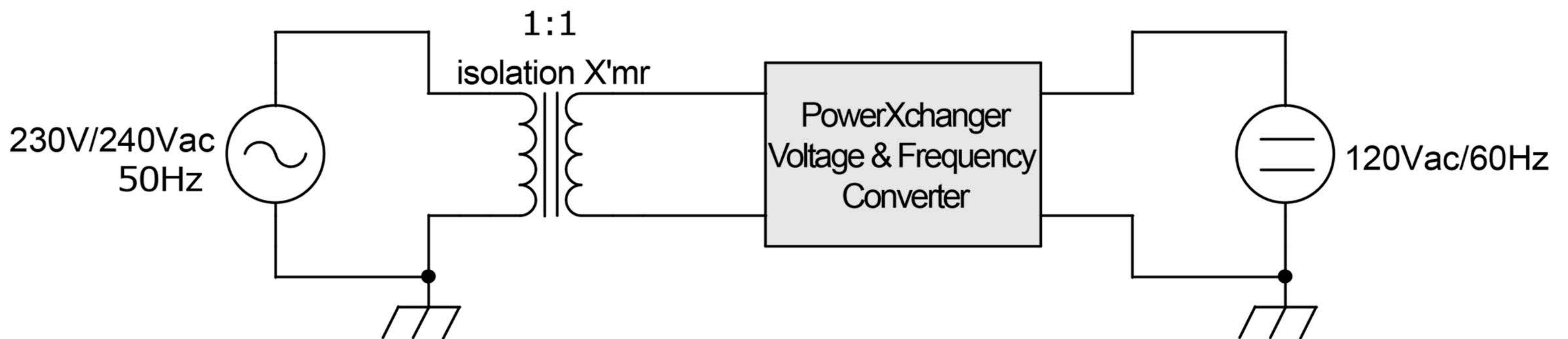
XTI-ISO2K

ISOLATION TRANSFORMER 2000 WATTS



PowerXchanger technology does not provide isolation from the mains. If your equipment requires grounding, it's critical that an isolation transformer is used between the mains and the PowerXchanger.

AC to AC ISOLATION DIAGRAM



Capacity	2000 W	
Product type	Isolation Transformer	
Input Voltage	220Vac, 9.3 A	
Output Voltage	220Vac, 9.1 A	
Short Circuit Protection	By Circuit Breaker (Push to Reset)	
Overload Protection	15A Max at AC Input	
Dimensions	41×18×20 (cm)	16×7×8 (in)
Unit Weight	22.6Kgs	50lbs
Shipping Dimensions	56×32×35 (cm)	22×13×14 (in)
Shipping Weight	15Kgs	55lbs

